

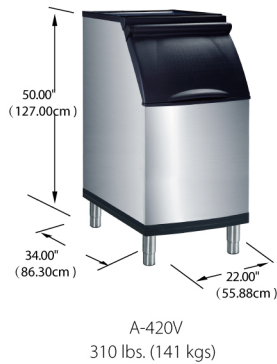
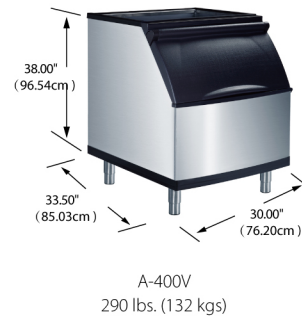
Ice Storage Bins

Model

- A-320V
 A-400V
 A-420V
 A-570V
 A-970V

A-Style

.75" (1.90 cm) Bin drain



Ice Machine Deflectors Required	
I-Series 320, 520	4011223
Q-Series 460, 660, 1060	4011213
I-Series 300, 450, 500, 600, 850, 1000, 1200	
I-Series 1400, 1800	4011233

Bin Leg

6" (15.24cm) adjustable legs in stainless steel for all models.

Warranty

Bin & Accessories: 3 Year Parts & Labor.





Specification

Door hinges are more reliable and located outside the food zone with hinge cover offering better sanitation. Soft durometer trim around opening helps silence bin door closing. Internal scoop holder stays above ice line for easy access and better sanitation. Convenient stay-open design keeps bin door out of the way while scooping ice.

Bin Model	Capacity		Fits Q and I-Series Ice Cube Machine Indicated														Dimensions					
			Q-Series			I-Series											Height		Width		Depth	
	lbs.	kgs.	460	660	1060	300	322	450	500	522	606	850	1000	1200	1400	1800	in.	cm.	in.	cm.	in.	cm.
A-320V	210	95					•			•							38	96.54	22	55.88	34	86.30
A-400V	290	132	•	•	•	•	3	•	•	3	•	•	•	•			38	96.54	30	76.20	33.5	85.03
A-420V	310	141					•			•							50	127.00	22	55.88	34	86.30
A-570V	430	195	•	•	•	•	1	•	•	1	•	•	•	•			50	127.00	30	76.20	34	86.30
A-970V	710	323	2	2	2	2		2	2		2	2	2	2	•	•	50	127.00	48	121.92	34	86.30

- 1 040000344 adapter required.
- 2 040000347 adapter required.
- 3 K-00365 adapter required.

One set of legs included. Adjustable from 6.00" to 7.75" (15.24 to 20.32 cm). Included with bin.

Storage capacity is based on 80% of total volume x 30 lb/ft³ average density of ice.