

EPF3480  
EPF3485

## PIZZA PREP TABLE REFRIGERATORS



Optional  
ESL3889 / ESL3890



### 2 Door Refrigerated Pizza Table with Drawers

EPF3480

Optional  
ESL3889 / ESL3890



### 3 Door Refrigerated Pizza Table

EPF3485



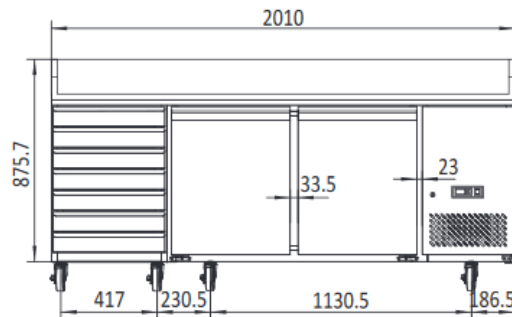
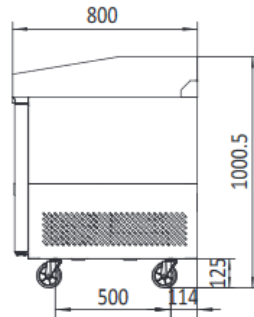
## FEATURES

- Stainless steel interior and exterior with galvanised back panel
- Gas: R134A for Fridges
- Insulation Foam: C5H10, ODP, Zero emissions
- 43°C ambient working temperature
- Come with wired mid shelf
- Castors as standard
- All European parts, Aspera compressor, EBM fan motor
- Carel or Dixell digital controller
- Can fit in ESL3889 / ESL3890(optional)
- Allow 100 mm clearance for air ventilation, all vent must left clear

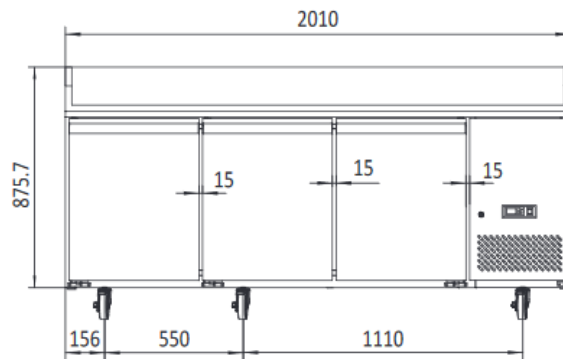
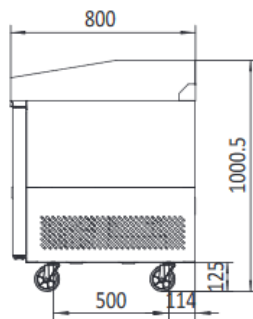
**EPF3480  
EPF3485**

**PIZZA PREP TABLE  
REFRIGERATORS**

EPF3480



EPF3485



| INFORMATION              | EPF3480                      | EPF3485                      |
|--------------------------|------------------------------|------------------------------|
| Capacity                 | 485L                         | 560L                         |
| Power                    | 330W                         | 330W                         |
| Voltage                  | 240V/50Hz                    | 240V/50Hz                    |
| Working Temp             | -2°C~+8°C                    | -2°C~+8°C                    |
| Ambient Temp             | 43°C                         | 43°C                         |
| Dimensions(mm)           | W2010 x D800 x H1000.5,360kg | W2010 x D800 x H1000.5,267kg |
| Packaging Dimensions(mm) | W2064 x D854 x H1051,384kg   | W2064 x D854 x H1051,297kg   |
| <b>RRP</b>               | <b>\$3,799.00</b>            | <b>\$3,380.00</b>            |



2 YEARS WARRANTY ON ALL PARTS & LABOUR

\* EXTRA 2 YEARS WARRANTY ON PARTS WHEN YOU REGISTER WITH US ONLINE